

Features

- Touchless on/off with a wave of your hand or an object such as a pan.
- Response® technology uses a state-of-the-art motion sensor for reliable touchless activation.
- LED light indicates faucet is operational and ready to go.
- AC-powered operation—no batteries to replace (requires AC power outlet).
- Three-function pull-down sprayhead with touch-control allows you to switch between stream, Sweep® spray and Boost technology.
- Sweep® spray is a wide, powerful blade of water that sweeps your dishes and sink clean.
- Boost technology increases the flow rate by 30% with the press of a button. Use Boost with stream for faster filling or with Sweep® spray for more powerful cleaning.
- DockNetik® magnetic docking system securely locks the sprayhead into place to prevent dangling.
- ProMotion® technology allows the pull-down sprayhead to swivel for more comfortable use.
- MasterClean™ sprayface withstands mineral buildup so you can wipe clean with a damp cloth—no chemical cleaners needed.
- Handle rotates 90 degrees forward to prevent contact with backsplash.
- Temperature memory allows faucet to be turned on and off at the temperature set during prior usage.
- KOHLER® ceramic disc valves exceed industry longevity standards, ensuring durable performance for life.
- 1.5 gpm (gallons per minute) maximum flow rate at 60 psi.

Material

- Premium metal construction.
- KOHLER finishes resist corrosion and tarnishing.

Installation

- Single-hole or three-hole installation (escutcheon plate included).
- Flexible supply lines simplify installation.

Adapters, Rough-in and Extension Kits

1012715 Range: 2-1/2" (64 mm) - 4-5/8" (117 mm)



ADA CSA B651

Codes/Standards




ASME A112.18.1/CSA B125.1
NSF/ANSI 61
NSF/ANSI 372
All applicable US Federal and State material regulations
DOE - Energy Policy Act 1992
California Energy Commission (CEC)
ADA
ICC/ANSI A117.1
CSA B651

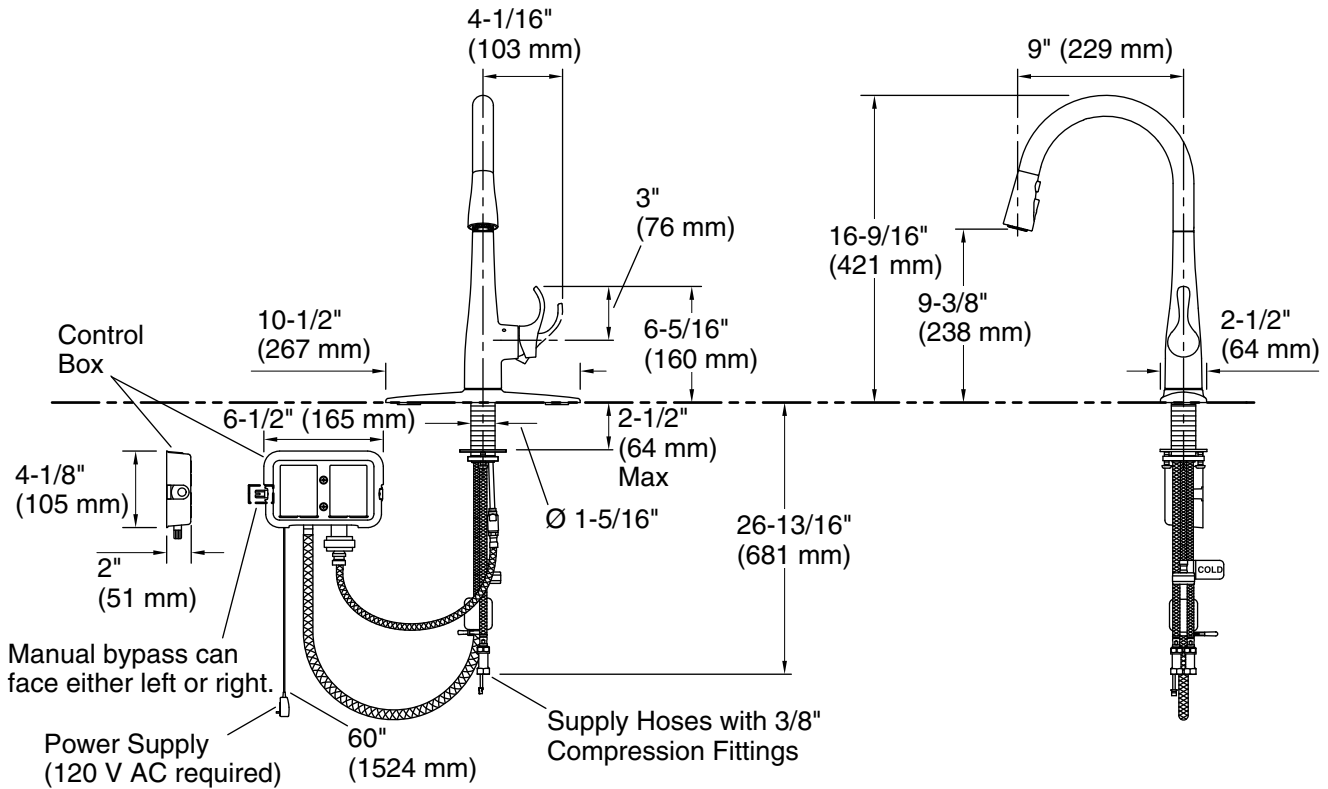
KOHLER® Faucet Lifetime Limited Warranty

See website for detailed warranty information.

Available Colors/Finishes

Color tiles intended for reference only.

Color	Code	Description
	CP	Polished Chrome
	VS	Vibrant® Stainless
	BL	Matte Black



Required Electrical Service

One dedicated circuit required.

120 V, 12 A, 60 Hz

Technical Information

All product dimensions are nominal.

Power source: Plug - AC, included

Faucet:

Flow rate: 1.5 gal/min (5.7 l/min)

Drain included: No

Spout:

Spout reach: 9" (228 mm)

Notes

Install this product according to the installation instructions.

REQUIRED: Unswitched power outlet (120 V AC) located below the sink and within 5' (1.5 m) of the control box. (Garbage disposals typically use switched outlets and are not recommended.)

Provide one grounded electrical outlet within 24" (610 mm) of each component.

ADA, CSA B651 compliant when installed to the specific requirements of these regulations.